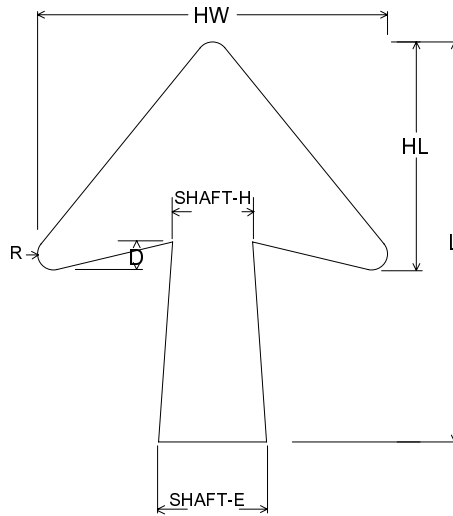


Arrows



	HW	HL	L	R	SHAFT-H	SHAFT-E	D	ROUNDED
4-1L	5.625	3.625	6.375	0.3125	1.5625	1.9375	0.4375	Y
4-2LV	5.625	4.375	9.125	0.3125	1.5625	1.9375	0.4375	Y
6-2L	8.4375	5.4375	9.5625	0.5	2.3125	2.9375	0.625	Y
6-2LV	8.4375	5.4375	13.6875	0.5	2.3125	2.9375	0.625	Y
8-1L	11.25	7.25	12.75	0.625	3.125	3.875	0.875	Y
8-2LV	11.25	8.75	18.25	0.625	3.125	3.875	0.875	Y
10-1L	14	9	16	0.875	4	5	0.875	Y
10-2LV	18.25	14	29.25	0.75	4.5	6	1.5	Y
12-1L	17.5	11.75	20.25	0.75	4.375	5.625	1.5	Y
12-2LV	18.25	14	29.25	0.75	4.5	6	1.5	Y
13.33-1L	17.5	11.75	20.25	0.875	4.375	5.625	1.5	Y
13.33-2LV	18.25	14	29.25	0.75	4.5	6	1.5	Y
16-1L	21.875	14.25	25	1	5	6.75	1.75	Y
16-2LV	22.25	17	35.625	1	5.375	7.125	1.75	Y

EXAMPLE: 4-2LV (4= TEXT SIZE, 2L= 2 LINES OF TEXT & H= VERTICAL ARROW)

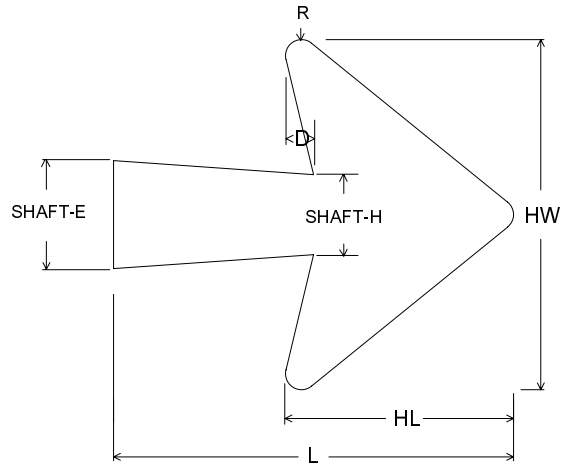


STATE OF NEVADA
DEPARTMENT OF TRANSPORTATION
STANDARD SIGN SUPPLEMENT
2006

VERTICAL ARROW DETAILS

SCALE: 1" = 1'-0"

SIGN
NUMBER



	HW	HL	L	R	SHAFT-H	SHAFT-E	D	ROUNDED
4-2LH	7.125	4.125	6.375	0.3125	1.5625	1.9375	0.4375	Y
6-2LH	10.6875	6.1875	9.5625	0.5	2.3125	2.9375	0.625	Y
8-2LH	14.25	8.25	12.75	0.625	3.125	3.875	0.875	Y
10-2LH	23.8125	13.8125	20.25	0.75	4.5	6	1.5	Y
12-2LH	23.8125	13.8125	20.25	0.875	4.5	6	1.5	Y
13.33-2LH	23.8125	13.8125	20.25	0.75	4.5	6	1.5	Y
16-2LH	28.5	16.5	25	1	5.375	7.125	1.75	Y

EXAMPLE: 4-2LH (4= TEXT SIZE, 2L= 2 LINES OF TEXT & H= HORIZONTAL ARROW)

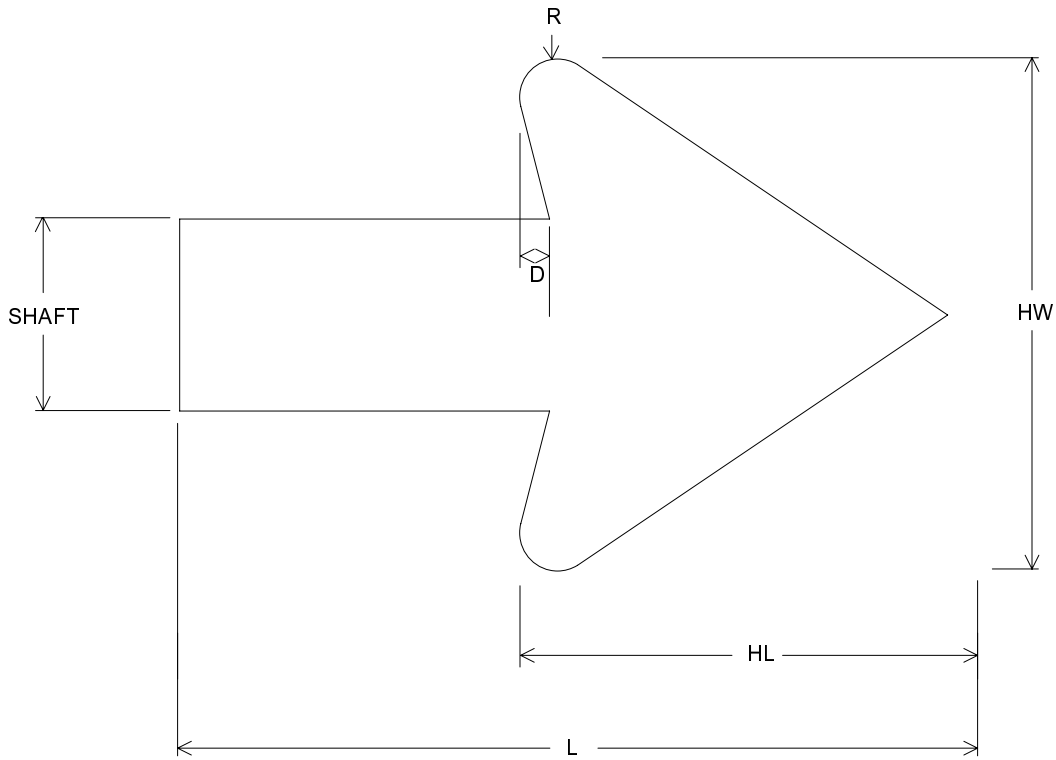


STATE OF NEVADA
DEPARTMENT OF TRANSPORTATION
STANDARD SIGN SUPPLEMENT
2006

HORIZONTAL ARROW DETAILS

SCALE: 1" = 1'-0"

SIGN
NUMBER



	HW	HL	L - 0 EXT.	L - 1 EXT.	L - 2 EXT.	R	SHAFT	D	ROUNDED
ST 4x6	4	3.3438	6	9	12	0.2969	1.5	0.2344	N
ST 6x9	6	5.0156	9	13.5	18	0.4453	2.25	0.3516	N
ST 8x12	8	6.6875	12	18	24	0.5938	3	0.4688	N
ST 10x15	10	8.3594	15	22.5	30	0.7422	3.75	0.5859	N
ST 12x18	12	10.0312	18	27	36	0.8906	4.5	0.7031	N
ST 13.33x20	13.33	11.143	20	30	40	0.9893	5	0.7811	N
ST 16x24	16	13.375	24	36	48	1.1875	6	0.9375	N

	FORMULA		FORMULA	USE WITH
HL	HW X 0.83595	L - 0 EXT.	HW X 1.5	1-5 LETTERS
R	HW X 0.074225	L - 1 EXT.	L - 0 EXT. X 1.5	6-8 LETTERS
D	HW X 0.0586	L - 2 EXT.	L - 1 EXT. X 1.3334	9 OR MORE LETTERS
SHAFT	HW X 0.375			

EXAMPLE: STD 4x6 (STD= STANDARD ARROW, 4= ARROW HEAD WIDTH & 6= ARROW LENGTH WITH NO EXTENSIONS)

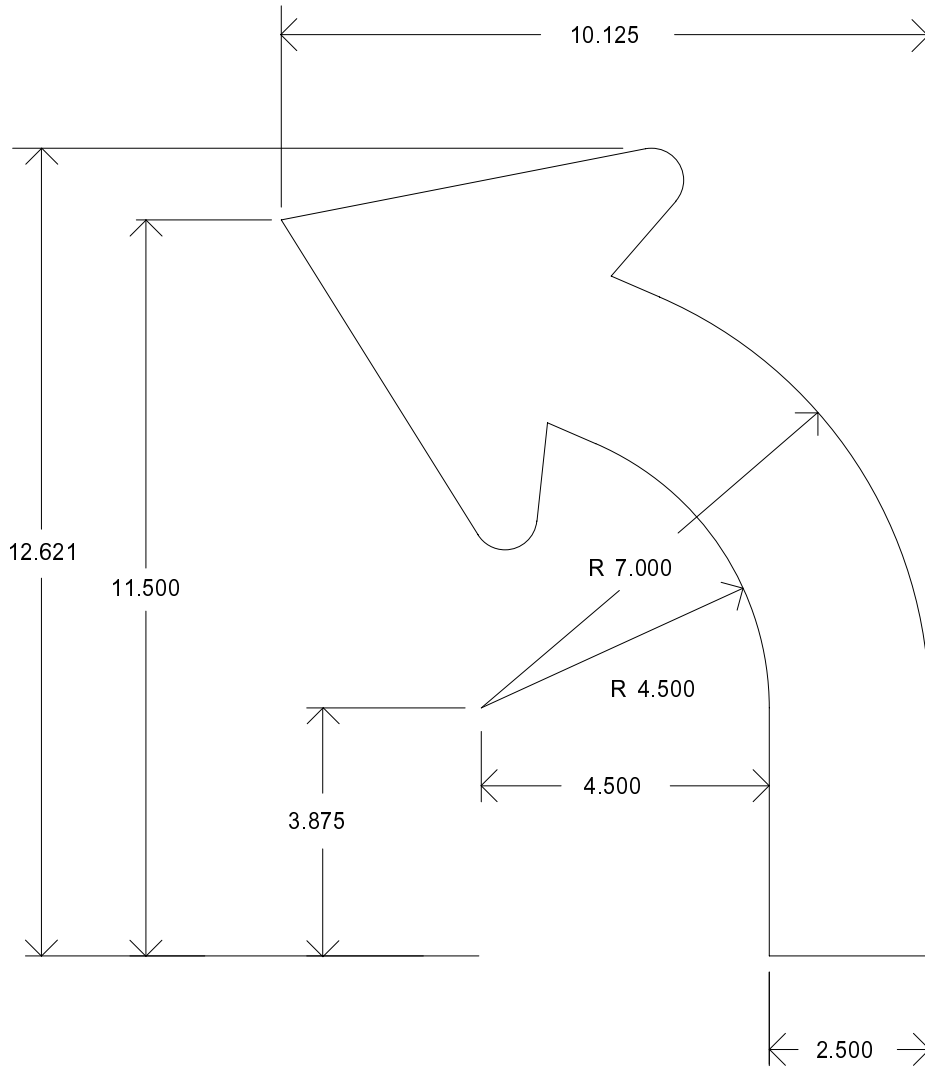


STATE OF NEVADA
DEPARTMENT OF TRANSPORTATION
STANDARD SIGN SUPPLEMENT
2006

STANDARD ARROW DETAILS

SCALE: 1" = 1'-0"

SIGN
NUMBER

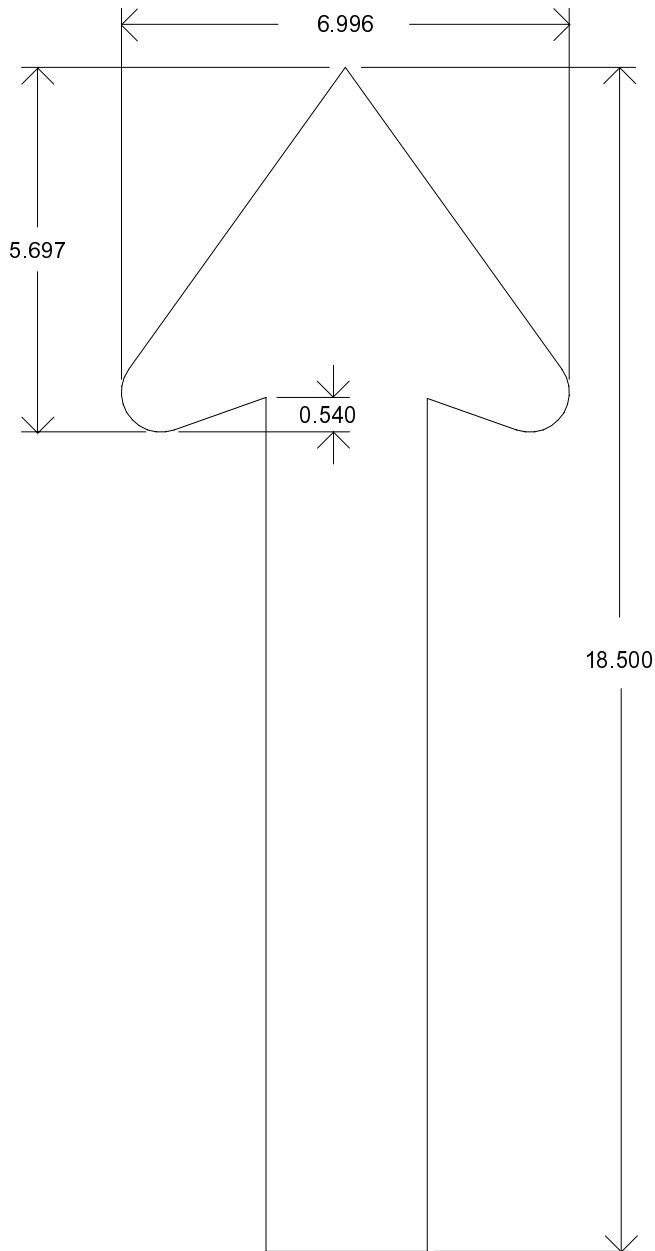


STATE OF NEVADA
 DEPARTMENT OF TRANSPORTATION
 STANDARD SIGN SUPPLEMENT
 2006

LEFT TURN

SCALE: 4" = 1'-0"

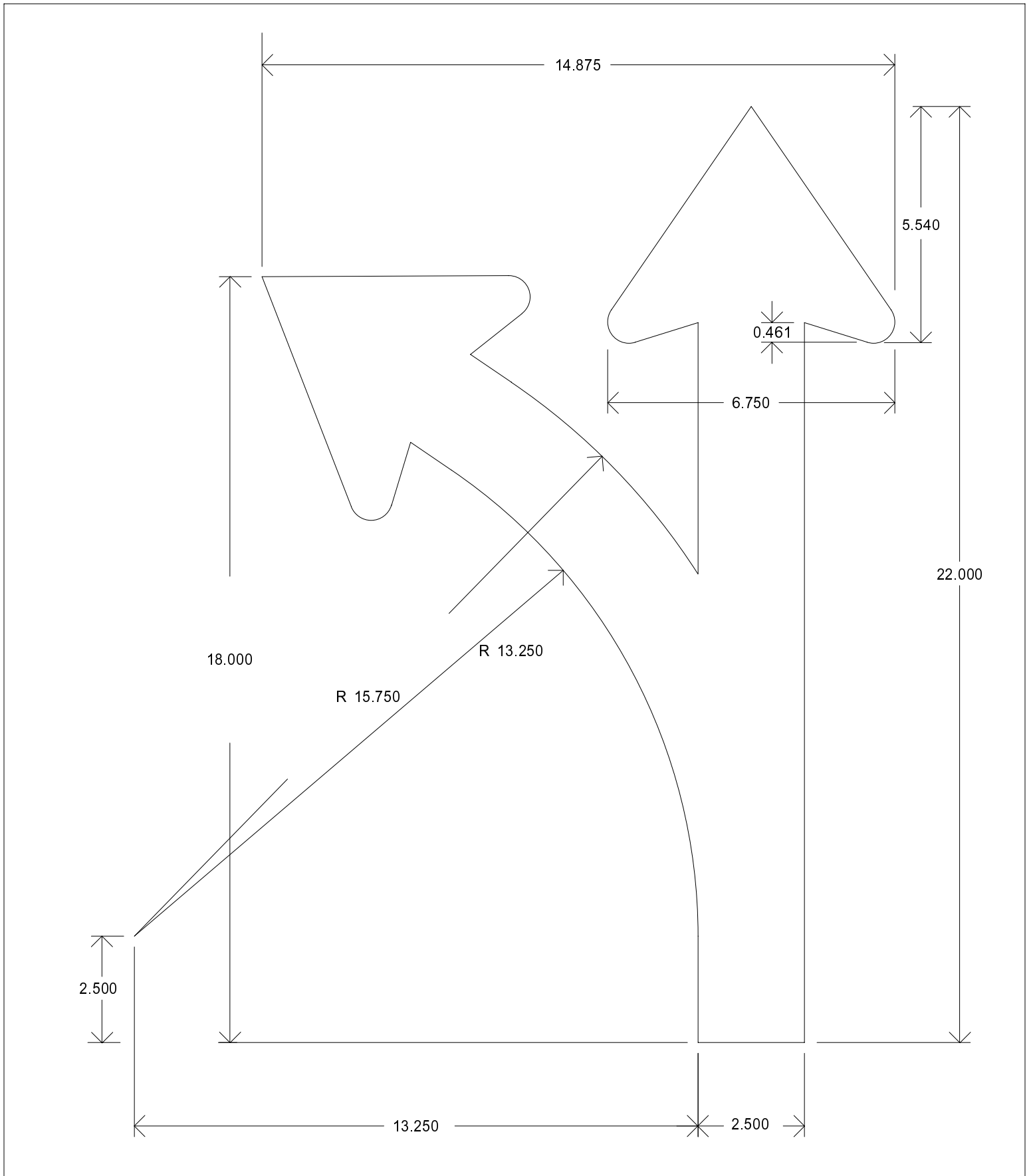
SIGN
 NUMBER



STATE OF NEVADA
DEPARTMENT OF TRANSPORTATION
STANDARD SIGN SUPPLEMENT
2006

THRU
SCALE: 4" = 1'-0"

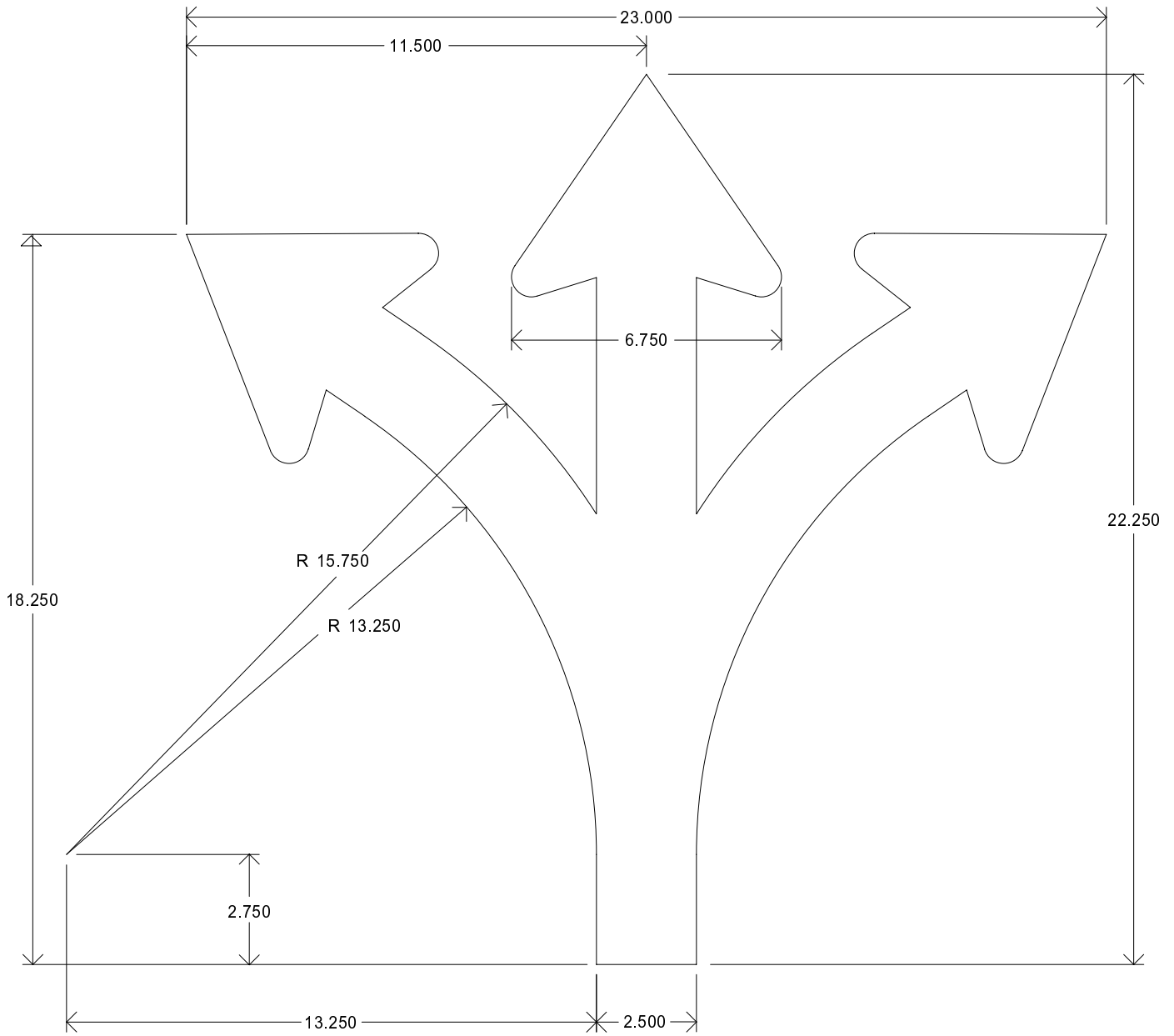
SIGN
NUMBER



STATE OF NEVADA
 DEPARTMENT OF TRANSPORTATION
 STANDARD SIGN SUPPLEMENT
 2006

LEFT/THRU
 SCALE: 4" = 1'-0"

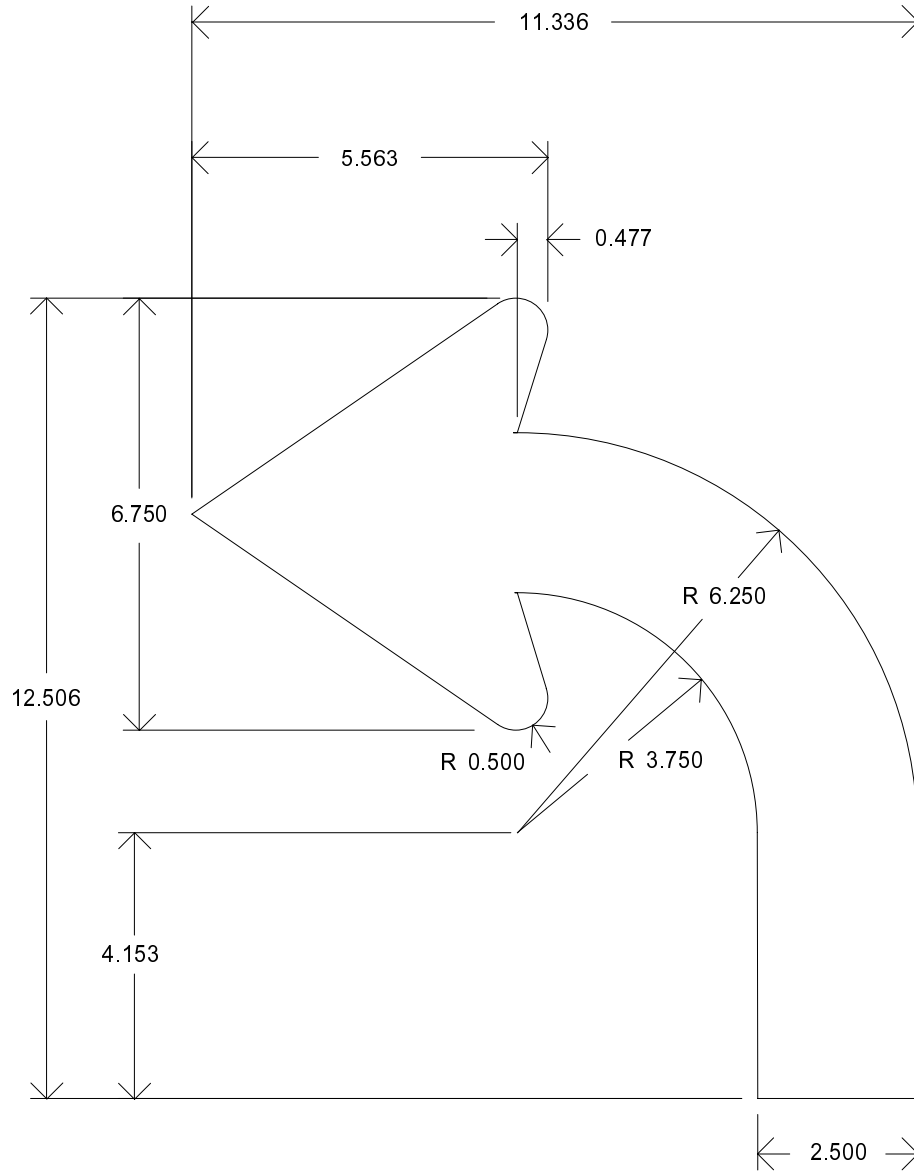
SIGN
 NUMBER



STATE OF NEVADA
 DEPARTMENT OF TRANSPORTATION
 STANDARD SIGN SUPPLEMENT
 2006

LEFT/THRU/RIGHT
 SCALE: 2" = 1'-0"

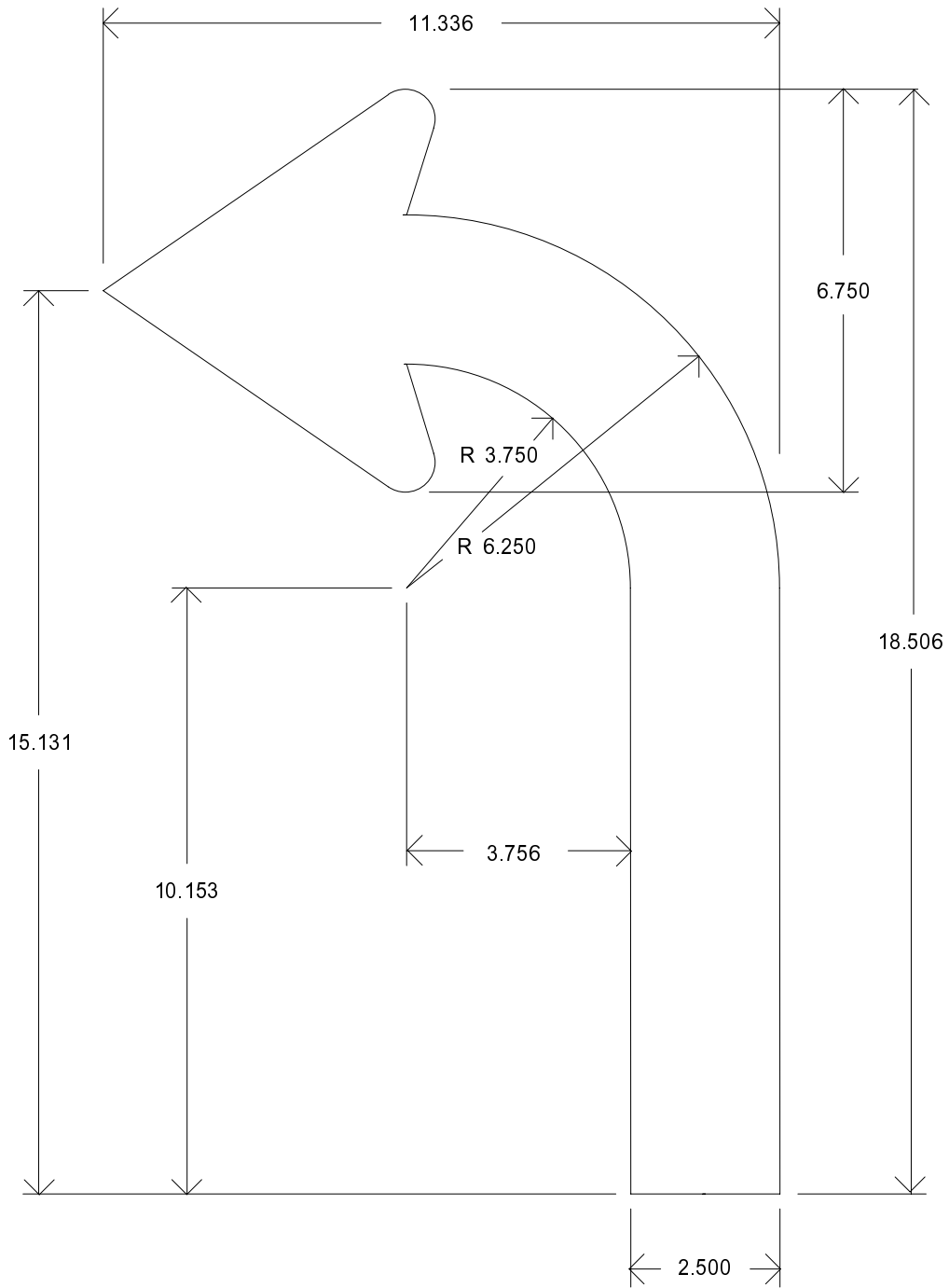
SIGN
 NUMBER



STATE OF NEVADA
 DEPARTMENT OF TRANSPORTATION
 STANDARD SIGN SUPPLEMENT
 2006

90 DEGREE LEFT TURN
 SCALE: 4" = 1'-0"

SIGN
 NUMBER

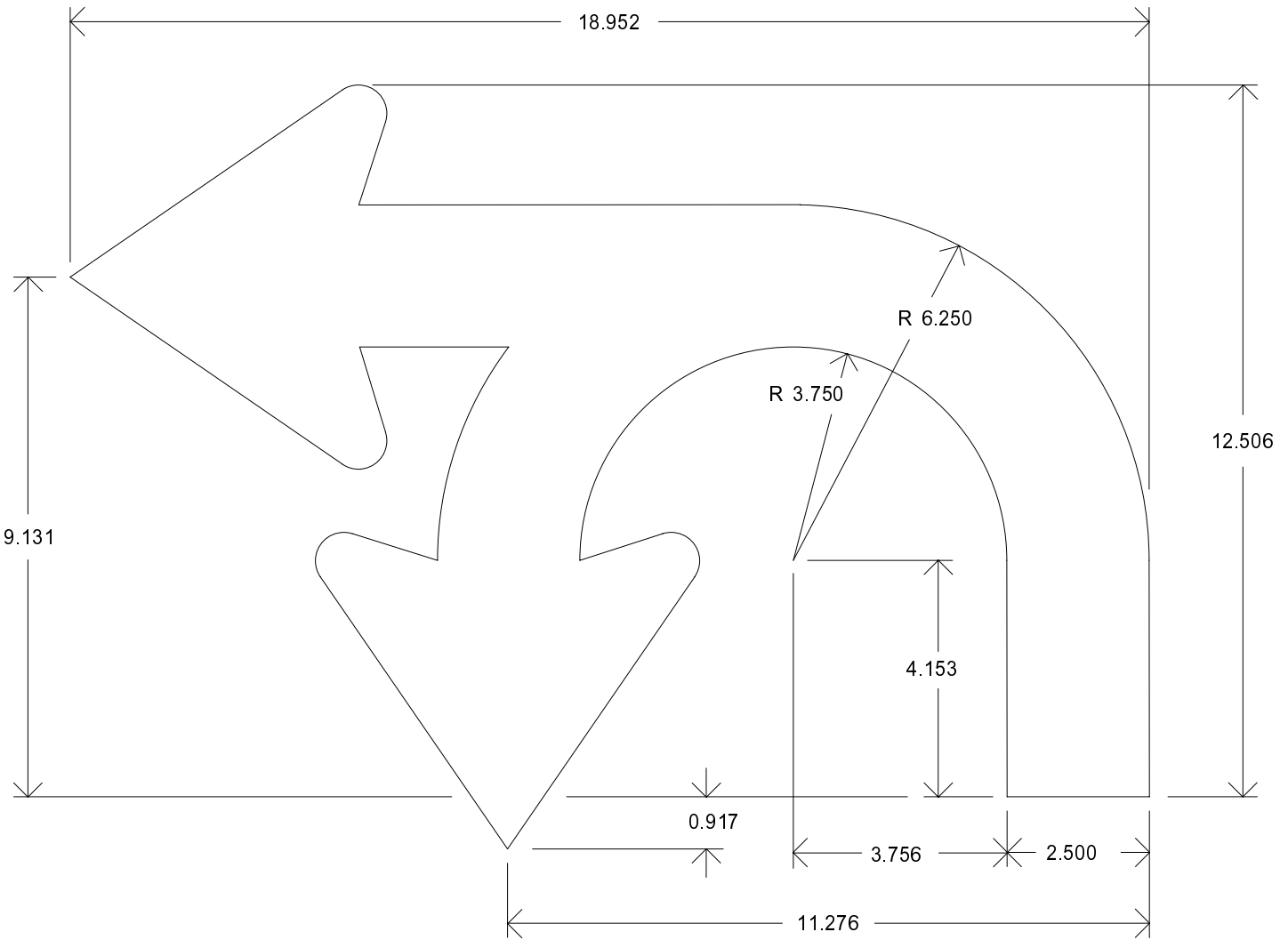


STATE OF NEVADA
 DEPARTMENT OF TRANSPORTATION
 STANDARD SIGN SUPPLEMENT
 2006

90 DEGREE LEFT TURN

SCALE: 4" = 1'-0"

SIGN
 NUMBER



STATE OF NEVADA
 DEPARTMENT OF TRANSPORTATION
 STANDARD SIGN SUPPLEMENT
 2006

LEFT/ U TURN
 SCALE: 4" = 1'-0"

SIGN
 NUMBER