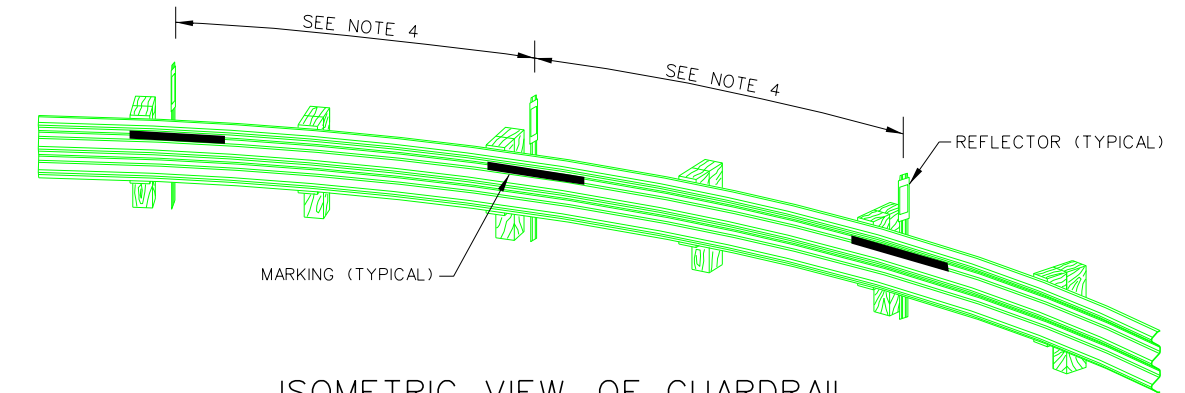
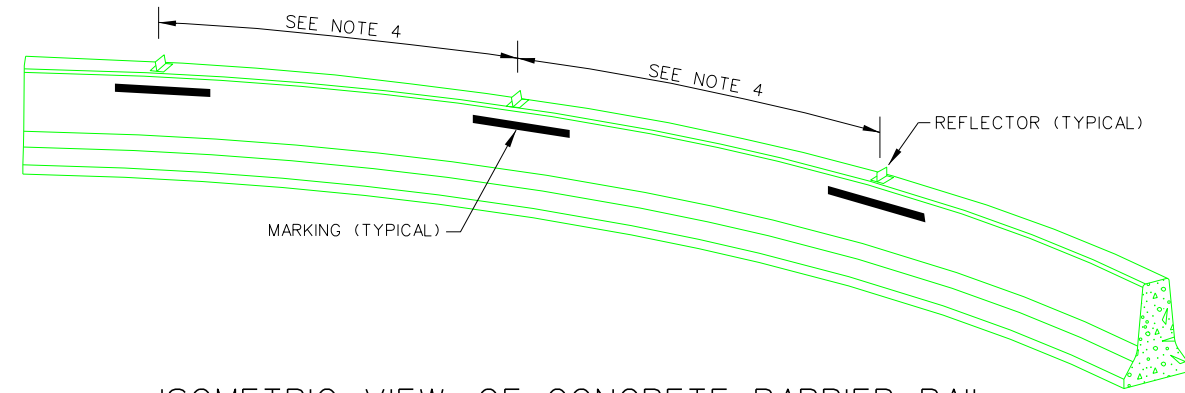


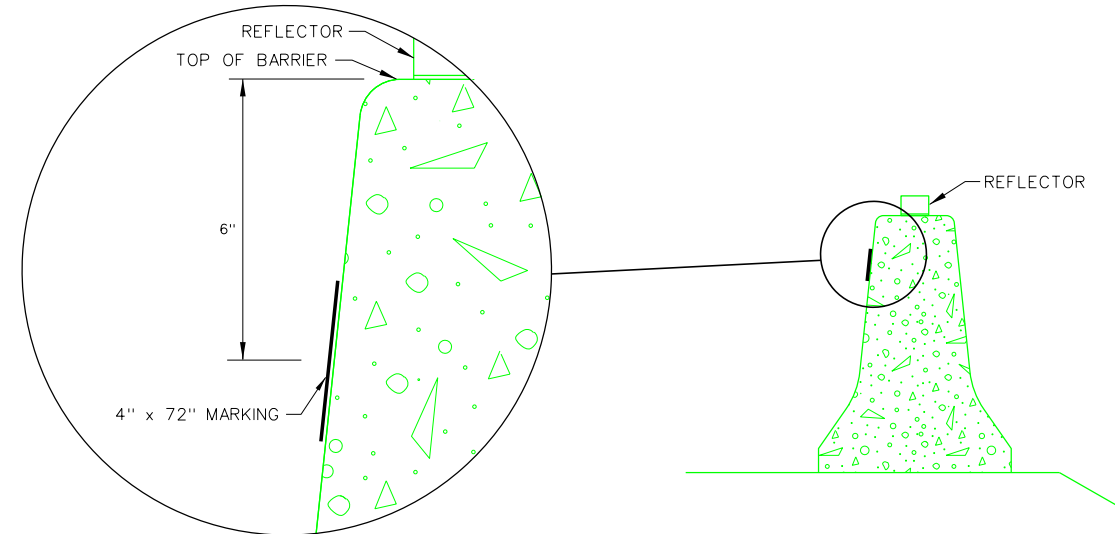
TYPES OF GUARDRAIL SYSTEM



ISOMETRIC VIEW OF GUARDRAIL



ISOMETRIC VIEW OF CONCRETE BARRIER RAIL



CONCRETE BARRIER RAIL

NOTES

1. CENTER THE 72" LONG BY 4" WIDE MARKINGS WITH RAIL REFLECTORS OR GUIDE POST.
2. MARKINGS SHALL BE PLACED ON OUTSIDE OF THE RADIUS FROM P.C. TO THE P.T.
3. OMIT MARKINGS FOR A RADIUS OF CURVE GREATER THAN 1250'.
4. SEE STANDARD PLAN R-9.2.2 FOR REFLECTOR SPACING ON GUARDRAIL / BARRIER RAIL.
5. COLOR SHALL COMPLY WITH THE GUIDELINES ESTABLISHED BY THE CURRENTLY ADOPTED M.U.T.C.D.